



Obsolescence Notice

This product is obsolete.

This information is available for your convenience only.

For more information on Zarlink's obsolete products and replacement product lists, please visit http://products.zarlink.com/obsolete_products/

The SP5024 is a programming variant of the SP5510 allowing the design of one tuner with either I²C bus or 3-wire bus format depending on which device is inserted. The SP5024, when used with a TV varicap tuner, forms a complete phase locked loop tuning system. The circuit consists of a divide-by-8 prescaler with its own preamplifier and a 15 bit programmable divider controlled by a serially - loaded data register. Four open-collector outputs, each independently programmable, are included. The device has two modes of operation selected by the 'mode selected input'. In mode 1 the comparison frequency is 7.8125kHz and the programmable divider MSB is bypassed; mode 2 comparison frequency is 6.25kHz. The comparison frequencies are both obtained from a 4MHz crystal controlled on-chip oscillator. The comparator has a charge pump output with an output amplifier stage around which feedback may be applied. Only one external transistor is required for varicap line driving.

FEATURES

- Complete 1.3GHz Single Chip System
- Dual Standard 50kHz or 62.5kHz Step Size
- Low Power Consumption (5V 40mA)
- Programming Compatible with Toshiba TD6380 and TD6381 *
- Pin Compatible with SP5510 *
- Low Radiation
- Varactor Drive Amplifier Disable
- Charge Pump Disable
- Single Port 18/19 Bit Serial Data Entry
- Four Controllable Outputs
- ESD Protection †

* See notes on pin compatibility

† Normal ESD handling procedures should be observed

APPLICATIONS

- Satellite TV When Combined With SP4902 2.5GHz Prescaler
- Cable Tuning Systems
- VCRs

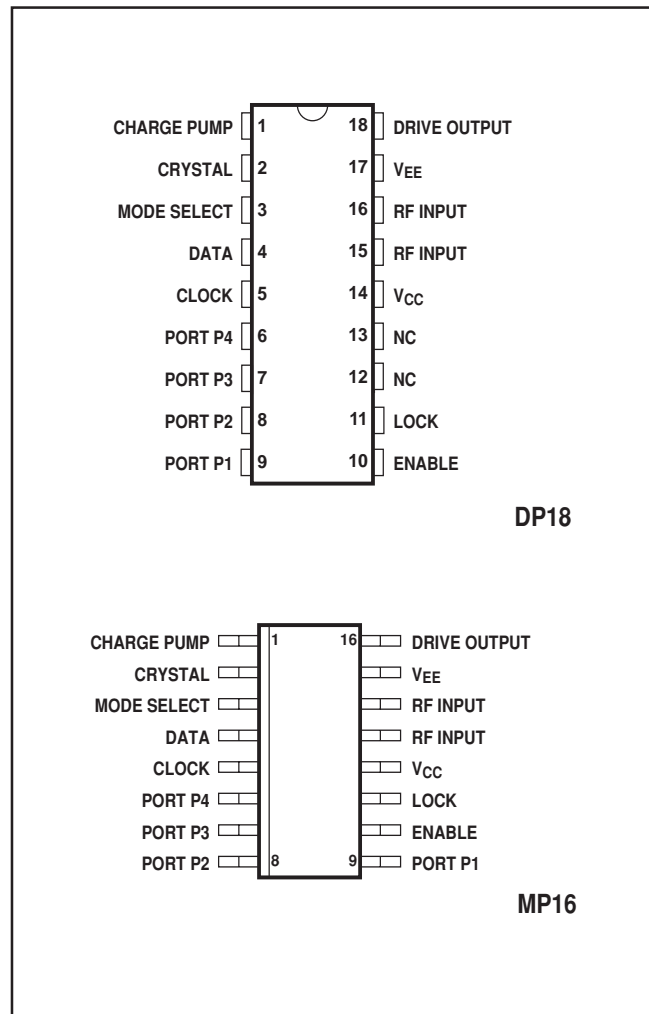


Fig. 1 Pin connections – top view

ORDERING INFORMATION

- SP5024 DP - (18-lead plastic package)
- SP5024S MP - (16-lead miniature plastic package)

ELECTRICAL CHARACTERISTICS

$T_{amb} = -20^{\circ}\text{C}$ to $+80^{\circ}\text{C}$, $V_{CC} = +4.5\text{V}$ to $+5.5\text{V}$. Reference frequency = 4MHz. Pin numbers refer to SP5024 (DP package). These characteristics are guaranteed by either production test or design. They apply within the specified ambient temperature and supply voltage unless otherwise stated.

Characteristic	Symbol	Pin	Value			Units	Conditions
			Min.	Typ.	Max.		
Supply current	I_{CC}	14		40	55	mA	$V_{CC} = 5\text{V}$
Prescaler input voltage		15,16	12.5		300	mV _{RMS}	50MHz to 1GHz sinewave
Prescaler input voltage		15, 16	30		300	mV _{RMS}	1.3GHz, see Fig. 5
Prescaler input impedance		15,16		50		Ω	
Input capacitance				2		pF	
High level input voltage		4,5,10	3		V_{CC}	V	
High level input voltage		3	4		V_{CC}	V	
Low level input voltage		3,4,5,10	0		0.6	V	
High level input current		4,5,10			1	μA	$V_{IN} = 5.5\text{V}, V_{CC} = 5.5\text{V}$
Low level input current		5			5	μA	$V_{IN} = 0\text{V}, V_{CC} = 5.5\text{V}$
Low level input current		4,10			-250	μA	$V_{IN} = 0\text{V}, V_{CC} = 5.5\text{V}$
High level input current		3			150	μA	$V_{IN} = 5.5\text{V}, V_{CC} = 5.5\text{V}$
Low level input current		3			-1	μA	$V_{IN} = 0\text{V}, V_{CC} = 5.5\text{V}$
Clock input hysteresis		5		0.4		V	
Clock rate		5			0.5	MHz	
Data set up time	t_2	4	300			ns	See Fig. 3
Data hold time	t_3	4	600			ns	See Fig. 3
Enable set up time	t_1	10	300			ns	See Fig. 3
Enable hold time	t_5	10	600			ns	See Fig. 3
Clock-to-enable time	t_4	10	300			ns	See Fig. 4
Charge pump output current		1		± 150		μA	V pin 1 = 2.0V
Charge pump output leakage current		1			± 5	nA	V pin 1 = 2.0V
Drift due to leakage					5	mV/s	At collector of external varicap drive transistor
Charge pump drive output current		18	1			mA	V pin 18 = 0.7V
Charge pump amplifier gain				6400			Pin 18 Current 100 μA
Oscillator temperature stability					2	ppm/ $^{\circ}\text{C}$	
Oscillator stability with supply voltage					2	ppm/V	
Recommended crystal series resistance			10		200	Ω	"Parallel resonant" crystal
Crystal oscillator drive level		2		40		mV p-p	
Crystal oscillator source impedance		2		-400		Ω	Nominal spread = $\pm 15\%$

ELECTRICAL CHARACTERISTICS (continued)

Characteristic	Symbol	Pin	Value			Units	Conditions
			Min.	Typ.	Max.		
Port and Lock sink current		6 - 9, 11	10			mA	$V_{OUT} = 0.7V$
Port leakage current		6-9			10	μA	$V_{OUT} = 13.2V$
Lock leakage current		11			10	μA	$V_{OUT} = V_{CC}$
Varactor Drive Amp Disable		10	-350			μA	$V_{IN} = <0V$
Charge Pump Disable		4	-350			μA	$V_{IN} = <0V$

ABSOLUTE MAXIMUM RATINGS

All voltages are referred to $V_{EE} = 0V$

Parameter	Pin SP5024	Pin SP5024 S	Value		Units	Conditions
			Min.	Max.		
Supply voltage	14	12	-0.3	-6	V	
Prescaler inputs	15, 16	13, 14		2.5	Vp-p	
Output ports	6-9	6-9	-0.3	14	V	Port in off state
			-0.3	6	V	Port in on state
Total port output current	6-9	6-9		50	mA	
Prescaler DC offset	15, 16	13, 14	-0.3	$V_{CC}+0.3$	V	
Loop amplifier DC offset	1, 18	1, 16	-0.3	$V_{CC}+0.3$	V	
Crystal oscillator DC offset	2	2	-0.3	$V_{CC}+0.3$	V	
Data bus inputs	4, 5, 10	4, 5, 10	-0.7	$V_{CC}+0.3$	V	With V_{CC} applied
Storage temperature			-55	+125	$^{\circ}C$	
Junction temperature				+150	$^{\circ}C$	
DP 18 thermal resistance, chip-to-ambient				78	$^{\circ}C/W$	
DP 18 thermal resistance, chip-to-case				24	$^{\circ}C/W$	
MP 16 thermal resistance, chip-to-ambient				111	$^{\circ}C/W$	
MP 16 thermal resistance, chip-to-case				41	$^{\circ}C/W$	
Power consumption at 5V				275	mW	All ports off

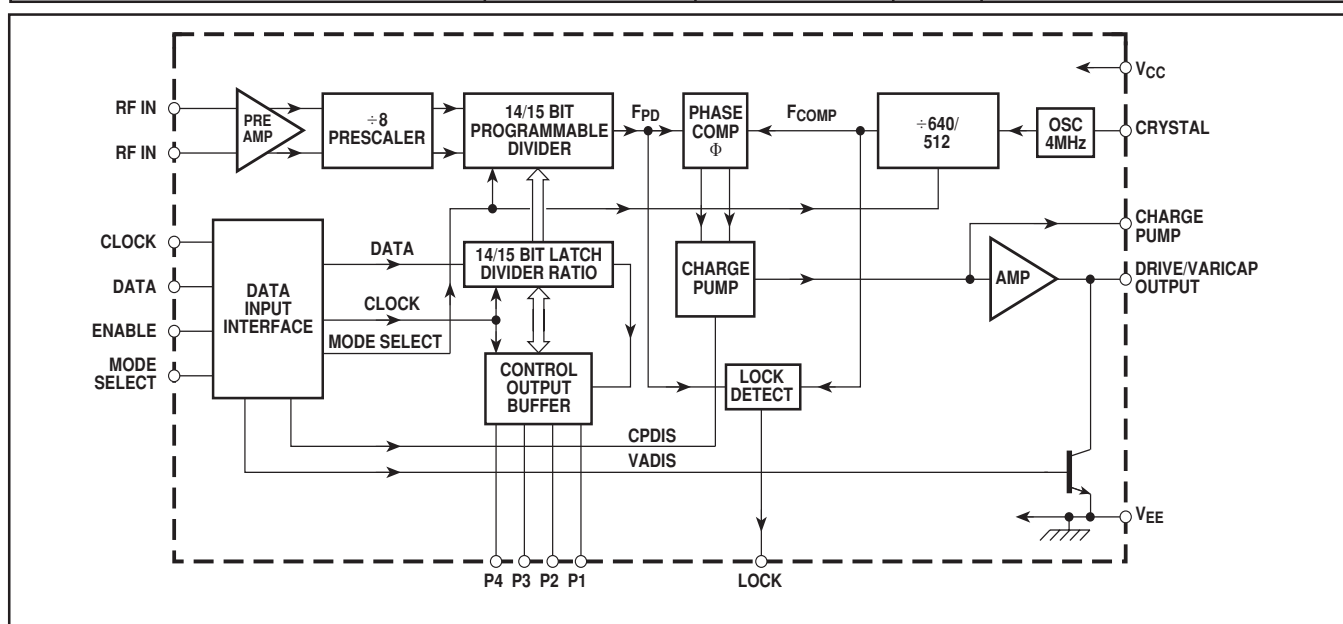


Fig.2 Block diagram

FUNCTIONAL DESCRIPTION

The SP5024 contains all the elements necessary, with the exception of reference crystal, loop filter and external high voltage transistor, to control a voltage controlled local oscillator, so forming a PLL frequency synthesised source.

The system is controlled by a microprocessor via a standard data, clock, enable, three-wire data bus. The data load normally consists of a single word, which contains the frequency and port information, and is only transferred to the internal data shift register during an enable high period. The clock input is disabled during enable low periods. New data words are only accepted by the internal data buffers from the shift register on a negative transition of the enable, so giving improved fine tune facility for digital AFC etc.

The data sequence and timing follows the format shown in Fig. 3.

The frequency is set by loading the programmable divider with the required 14/15 bit divisor word. The output of this divider, F_{PD} , is fed to the phase comparator where it is compared in phase and frequency domain to the internally generated comparison frequency, F_{COMP} .

The F_{COMP} is obtained by dividing the output of an on-chip crystal controlled oscillator. The crystal frequency used is generally 4MHz, which gives an F_{COMP} of 6.25kHz/7.8125kHz and, when multiplied back up to the synthesised LO, gives a minimum step size of 50kHz/62.5kHz, respectively.

The programmable divider is preceded by an input RF preamplifier and high speed, low radiation prescaler. The preamplifier is arranged to be self oscillating, so giving excellent input sensitivity. The input sensitivity and impedance are shown in Figs. 5 and 7, respectively.

The SP5024 contains an improved lock detect circuit which generates a flag when the loop has attained lock. 'Out of lock' is indicated by high impedance state.

The SP5024 contains 4 general purpose open collector outputs, ports P1-P4, which are capable of sinking at least 10mA. These outputs are set by the remaining four bits within the normal data word.

PIN COMPATIBILITY

The SP5024 may be used in SP5510 applications which require 3-wire bus as opposed to I²C bus data format. In SP5510 applications where the reference crystal is connected to pin 3, a small modification is required to ground the crystal as shown in Fig. 4.

Appropriate connections to the mode select input (pin 3) must also be made.

In mode 1 (pin 3 'HIGH') the SP5024 is programming and step size compatible with the Toshiba TD6380, and in mode 2 (pin 3 'LOW') it is compatible with the TD6381. In both modes a 4MHz crystal is used to derive F_{COMP} , unlike the TD6381 which requires a 3.2MHz crystal.

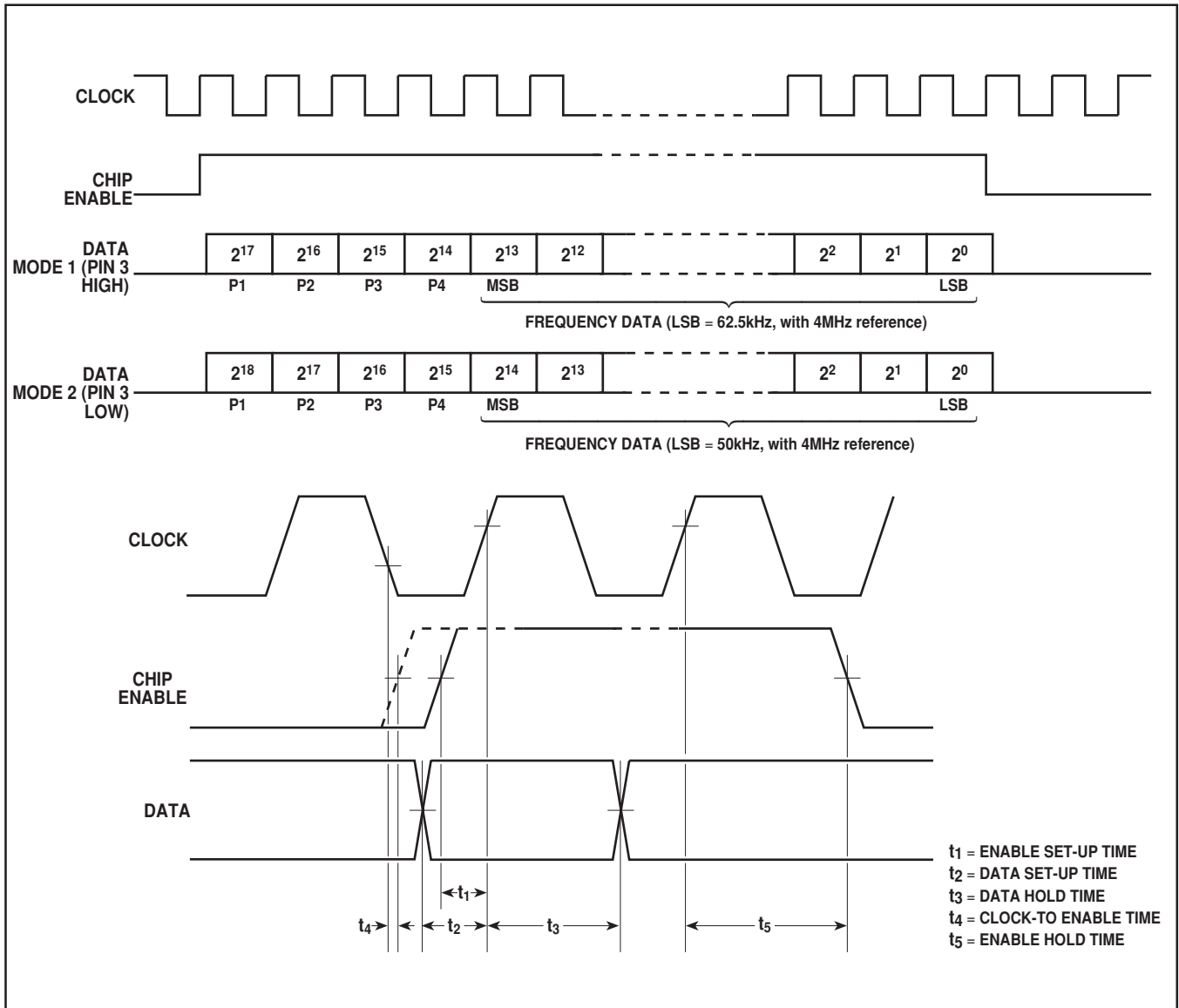


Fig. 3 Data format and timing

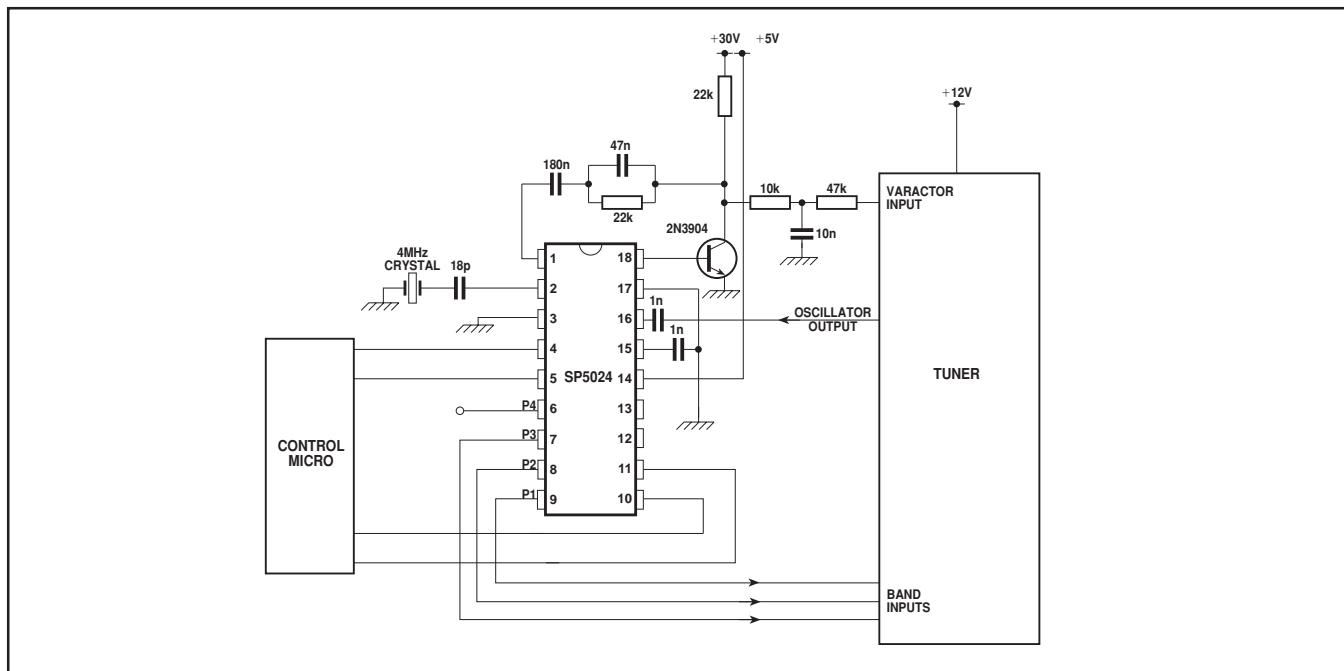


Fig. 4 Typical application ($F_{STEP} = 50kHz$)

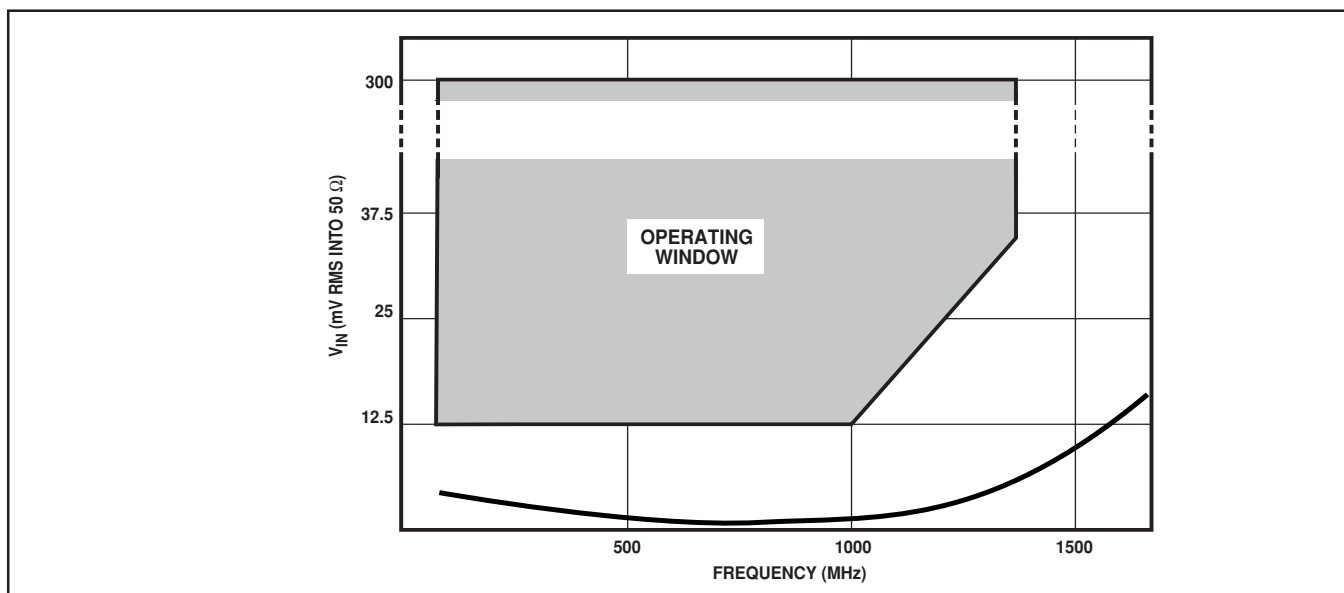


Fig. 5 Typical input sensitivity

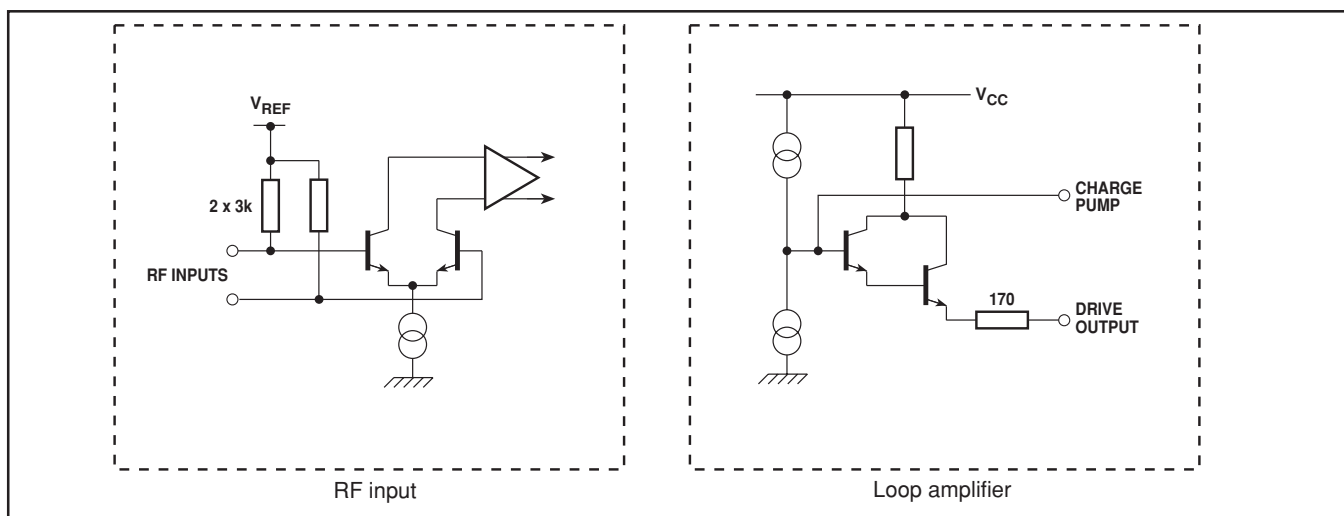


Fig.6a Input/Output interface circuits

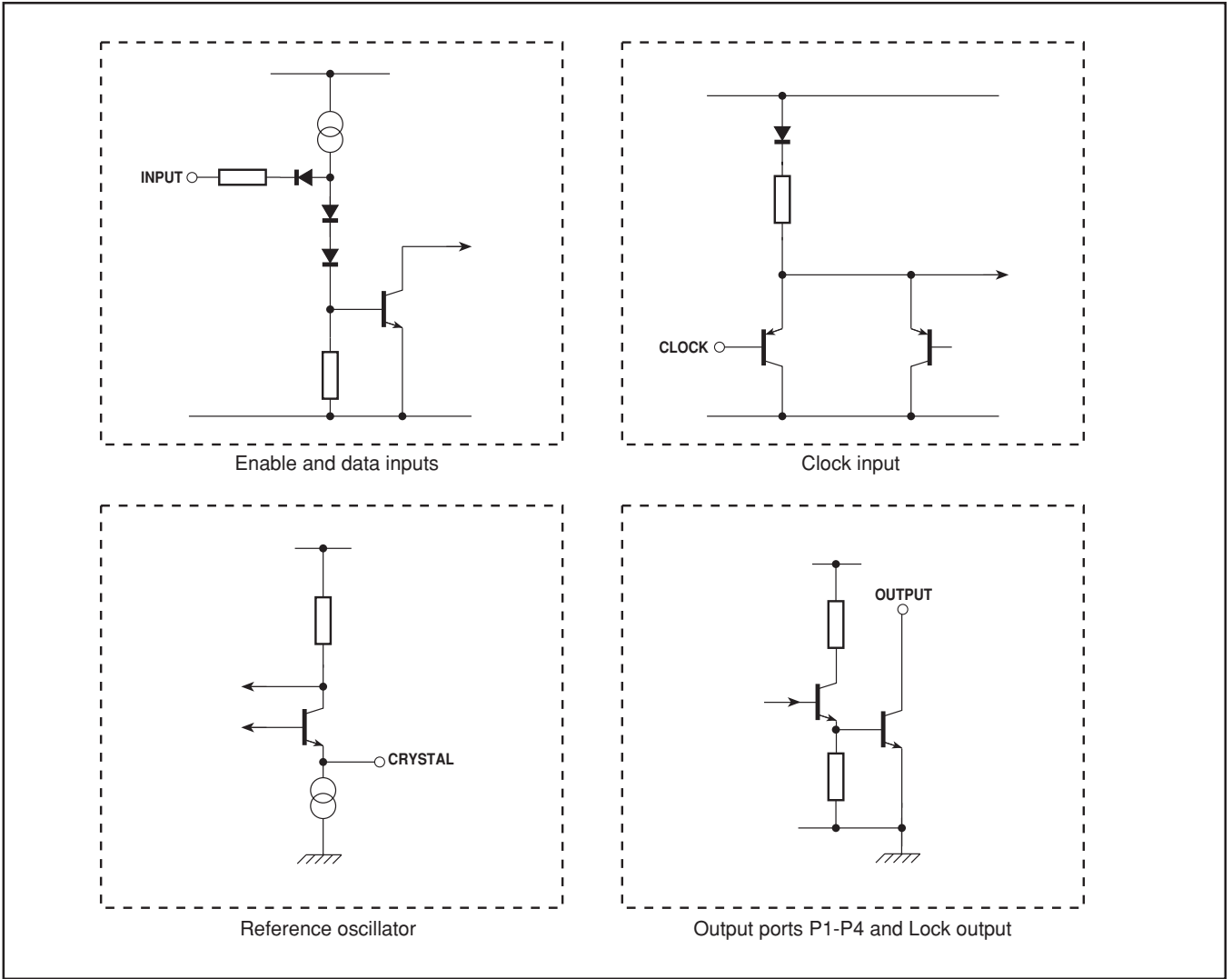


Fig.6b Input/Output interface circuits

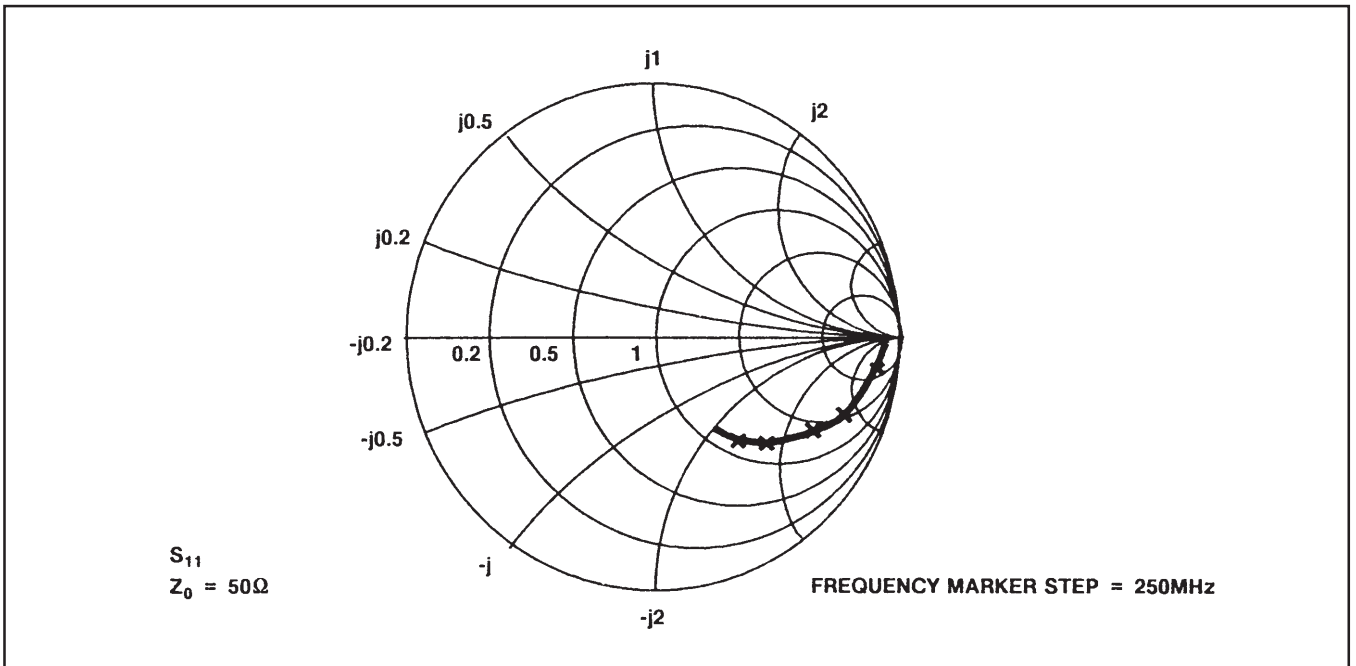


Fig.7 Typical input impedance



**For more information about all Zarlink products
visit our Web Site at
www.zarlink.com**

Information relating to products and services furnished herein by Zarlink Semiconductor Inc. or its subsidiaries (collectively "Zarlink") is believed to be reliable. However, Zarlink assumes no liability for errors that may appear in this publication, or for liability otherwise arising from the application or use of any such information, product or service or for any infringement of patents or other intellectual property rights owned by third parties which may result from such application or use. Neither the supply of such information or purchase of product or service conveys any license, either express or implied, under patents or other intellectual property rights owned by Zarlink or licensed from third parties by Zarlink, whatsoever. Purchasers of products are also hereby notified that the use of product in certain ways or in combination with Zarlink, or non-Zarlink furnished goods or services may infringe patents or other intellectual property rights owned by Zarlink.

This publication is issued to provide information only and (unless agreed by Zarlink in writing) may not be used, applied or reproduced for any purpose nor form part of any order or contract nor to be regarded as a representation relating to the products or services concerned. The products, their specifications, services and other information appearing in this publication are subject to change by Zarlink without notice. No warranty or guarantee express or implied is made regarding the capability, performance or suitability of any product or service. Information concerning possible methods of use is provided as a guide only and does not constitute any guarantee that such methods of use will be satisfactory in a specific piece of equipment. It is the user's responsibility to fully determine the performance and suitability of any equipment using such information and to ensure that any publication or data used is up to date and has not been superseded. Manufacturing does not necessarily include testing of all functions or parameters. These products are not suitable for use in any medical products whose failure to perform may result in significant injury or death to the user. All products and materials are sold and services provided subject to Zarlink's conditions of sale which are available on request.

Purchase of Zarlink's I²C components conveys a licence under the Philips I²C Patent rights to use these components in and I²C System, provided that the system conforms to the I²C Standard Specification as defined by Philips.

Zarlink, ZL and the Zarlink Semiconductor logo are trademarks of Zarlink Semiconductor Inc.

Copyright Zarlink Semiconductor Inc. All Rights Reserved.

TECHNICAL DOCUMENTATION - NOT FOR RESALE
